

User Manual Universal Thermostat Guard

5970

The Braeburn 5970 Thermostat Guard is a universal thermostat guard that covers and protects wall thermostats by reducing the risk of damage, tampering and unauthorized adjustment of thermostat settings. The 5970 thermostat guard includes a clear plastic guard cover and base, opaque plastic wall plate, screws, anchors and tumbler lock with two keys. This thermostat guard is ideal for offices, lobbies, hospitals, schools, supermarkets, restaurants, convenience stores and other public areas to help prevent unauthorized personnel from adjusting the temperature. This thermostat guard can be used in new and existing thermostat applications.

Read All Instructions Before Proceeding

Warning Important Information

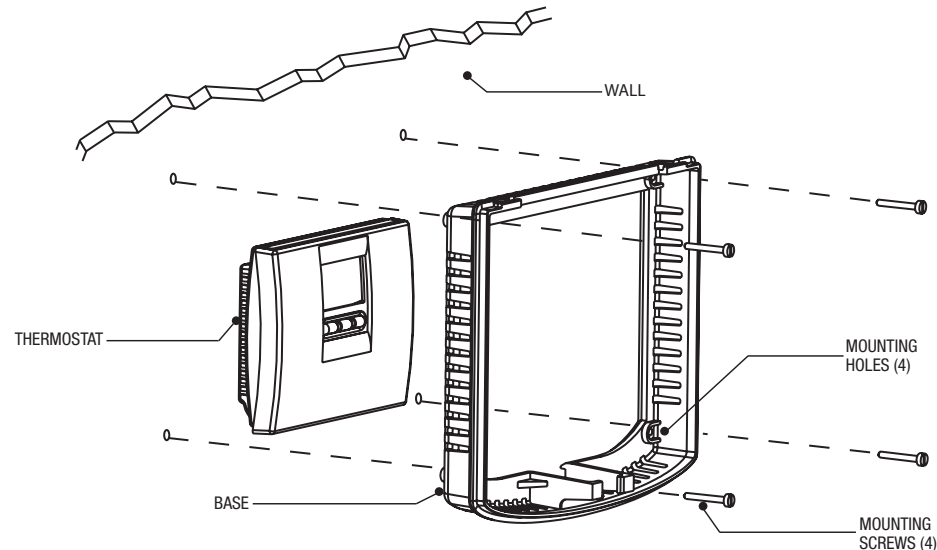
- Read this manual thoroughly prior to installing thermostat guard.
- Verify dimensions given in this manual and on the product to ensure product is suitable for your application.
- Prior to finishing installation, refer to applicable thermostat manual and test thermostat operation.
- This thermostat guard should only be used as described in this manual. Any other use is not recommended and will void the warranty.
- For a replacement key, please contact our Customer Service Department at 1-866-268-5599.

Installation

- The Braeburn 5970 Thermostat Guard can be used in virtually all new or existing thermostat applications. The enclosed wall plate can also be used with a wide range of commercial thermostat models.
- For most existing thermostat applications, the thermostat guard can be installed without removing the thermostat from the wall. In existing applications, only the cover and base will be used, NOT the wall plate. Some existing installations may require the thermostat to be removed from sub-base to install base.
- In new thermostat applications, the thermostat guard can be used with or without the wall plate. The wall plate is usually used to cover scratches or marks from the old thermostat installation.

Installing Thermostat Guard with Existing Thermostat

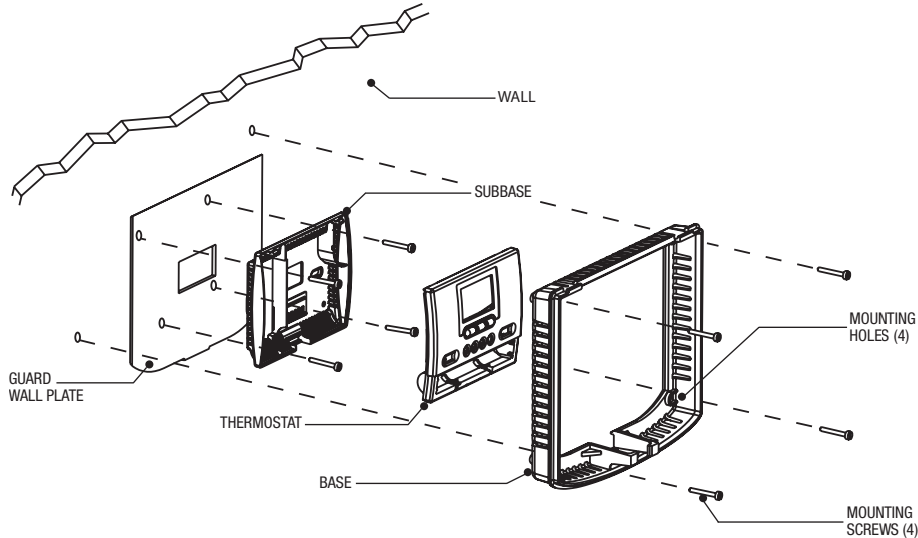
1. Place the base over the existing thermostat on the wall with curved edge of the base facing down.
NOTE: Some thermostats will need to be removed from the sub-base before installing the base.
2. Align the base with the existing thermostat and level.
3. Mount the base on the wall using the four provided anchors and screws.
4. Mount the thermostat guard cover by placing the hinged edge of the thermostat guard cover over the top edge of the base and lowering the cover to the base. **NOTE:** The key must be in the UNLOCKED position.
5. Lock the thermostat guard by turning the provided key counterclockwise. The key can ONLY be removed when it is in the LOCKED position.



Installing Thermostat Guard with New Thermostat

Warning Important Safety Information

Disconnect power supply to prevent electrical shock or equipment damage.



1. Place the thermostat sub-base on the thermostat guard wall plate and use the thermostat sub-base as a guide.
2. Mark and drill the necessary 5/32 inch mounting holes. Take care to align wire opening in both wall plate and sub-base. **NOTE:** The curved edge of the wall plate should face down. Ensure mounting position allows adequate clearance to open doors and covers.
3. Run the system wires through the wiring hole in the thermostat guard wall plate.
4. Mount the thermostat sub-base and the thermostat guard wall plate to the wall. **NOTE:** If thermostat is a back-wired thermostat, wire the thermostat before mounting it to the wall.
5. Refer to thermostat manual to wire thermostat.
6. Mount the thermostat on the sub-base.
7. Place the base over the mounted thermostat and wall plate and mount using the four anchors and screws provided.

8. Mount the thermostat guard cover by placing the hinged edge of the thermostat guard cover over the top edge of the base and lowering the cover to the base. **NOTE:** The key must be in the UNLOCKED position.
9. Lock the thermostat guard by turning the provided key counterclockwise. The key can ONLY be removed when it is in the LOCKED position.

Removing Thermostat Guard Cover

- Unlock the thermostat guard by inserting the key and turning clockwise.
- Remove the thermostat guard cover by lifting cover away from the base and off the hinges.

Store this manual for future reference.



Limited Warranty

When installed by a professional contractor, this product is backed by a 1 year limited warranty. Limitations apply. For limitations, terms and conditions, you may obtain a full copy of this warranty:

- Visit us online: www.braeburnonline.com/warranty
- Phone us: 866.268.5599
- Write us: Braeburn Systems LLC
2215 Cornell Avenue
Montgomery, IL 60538